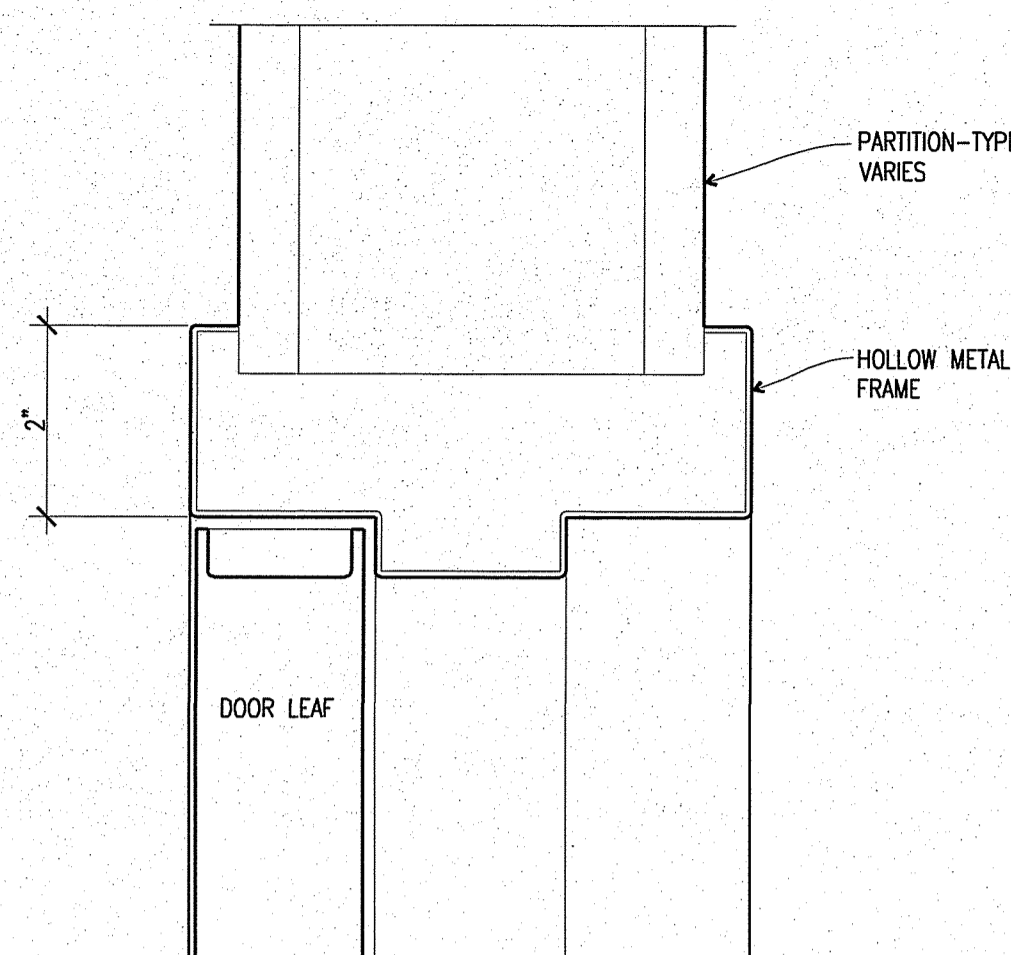
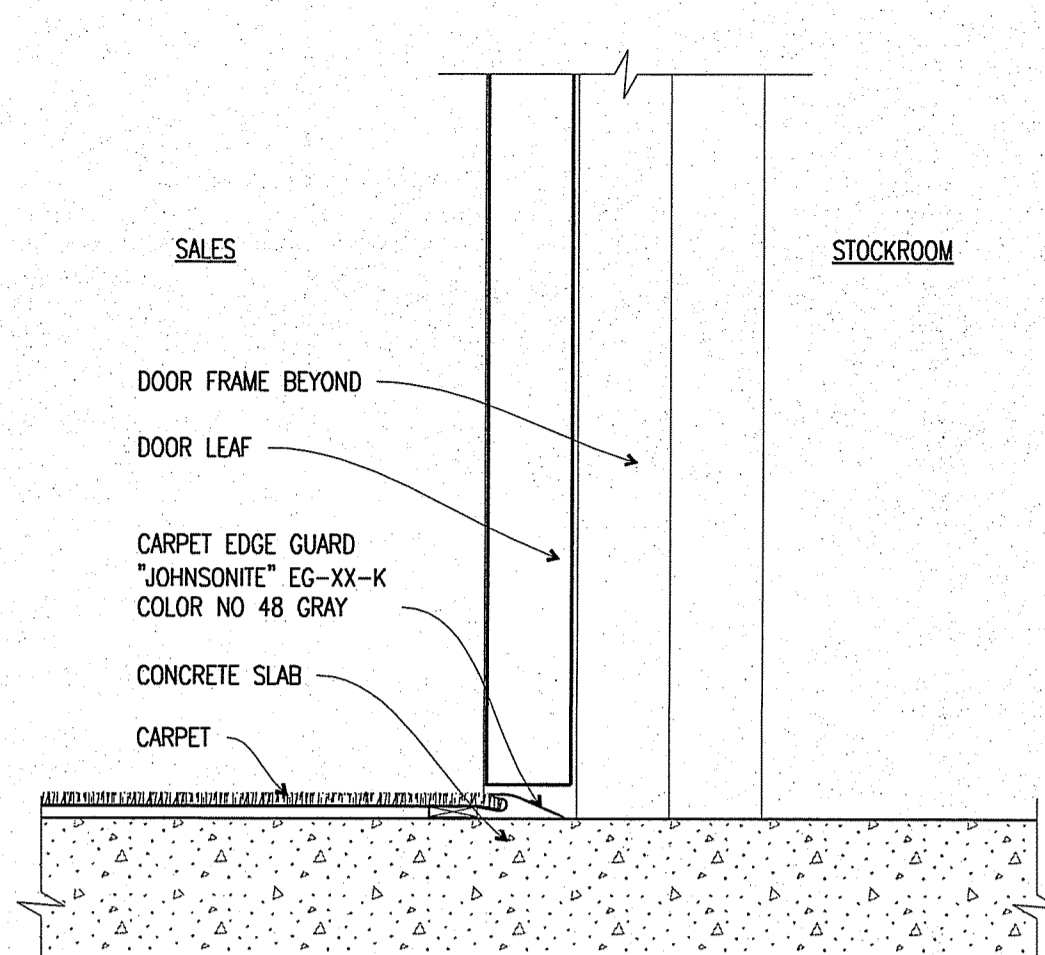


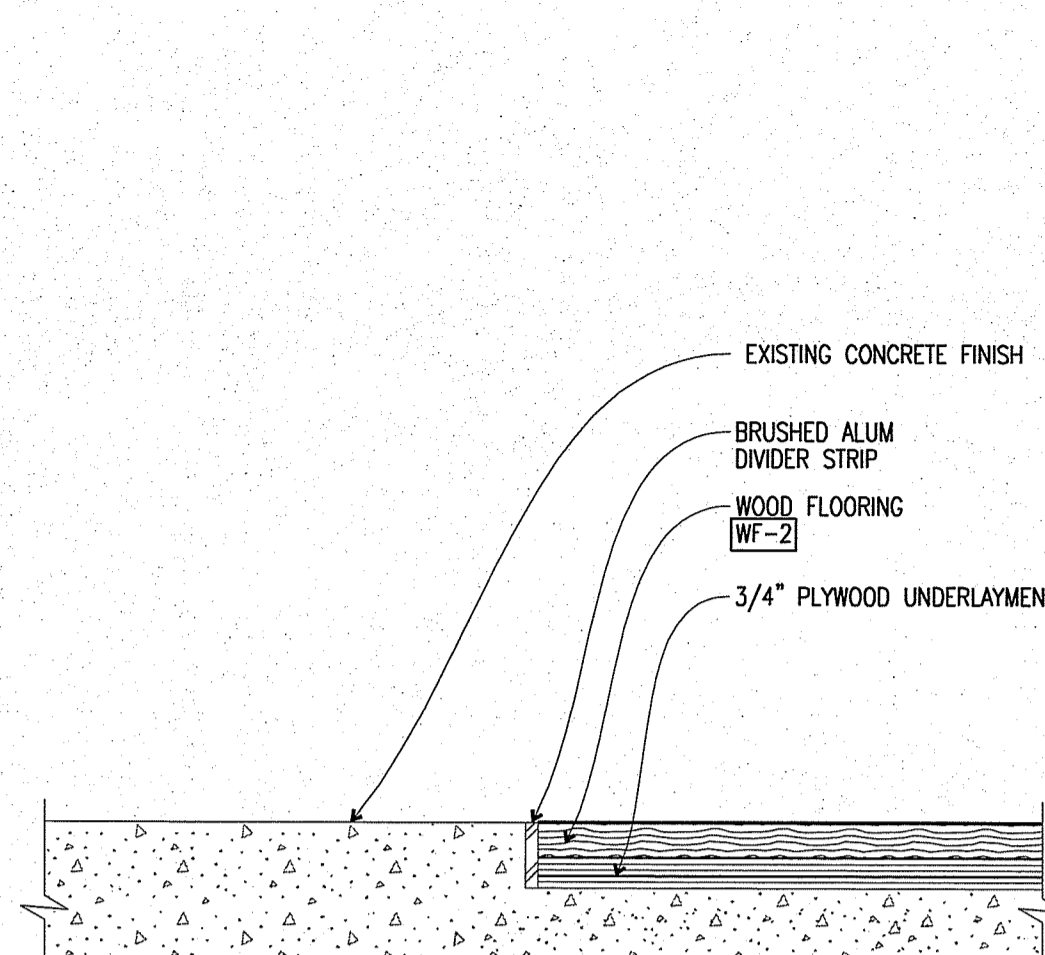
E1 HOLLOW METAL FRAME - DOOR JAMB
6"=1'-0" C1020-04



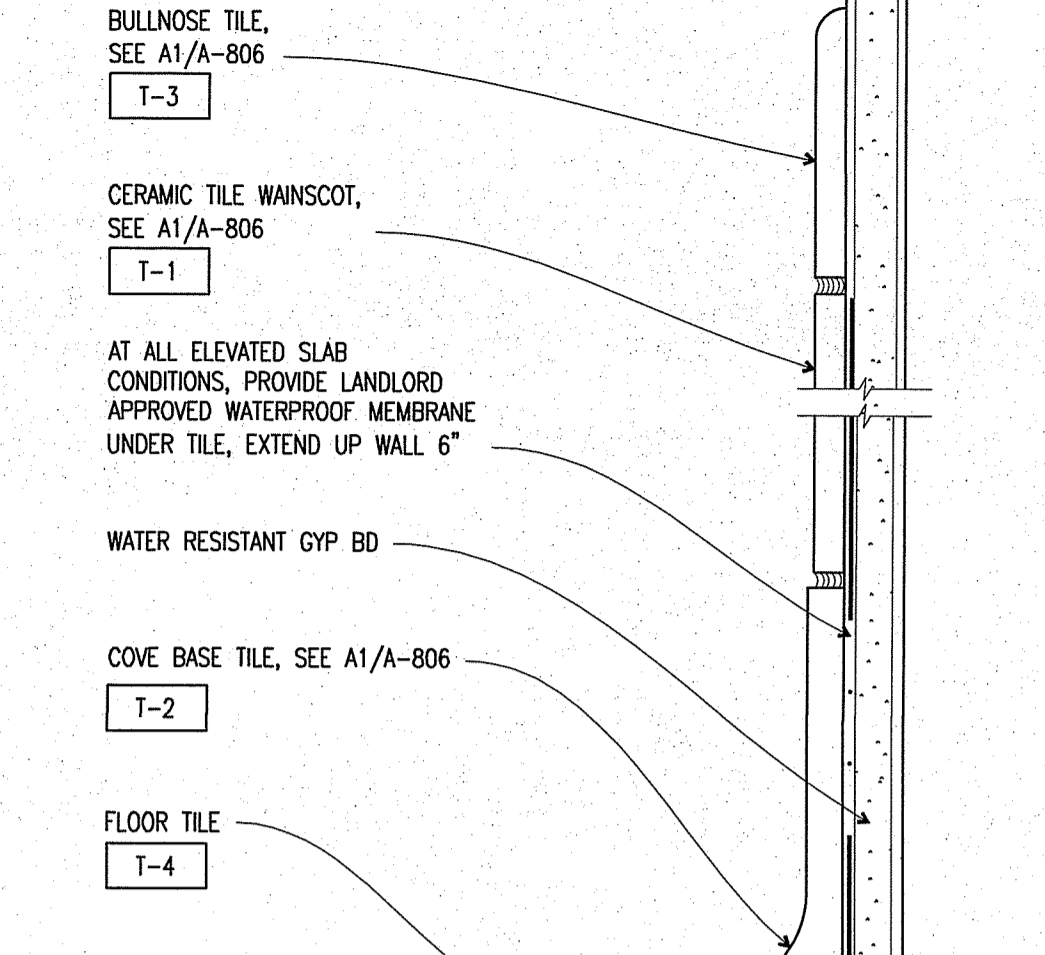
E3 HOLLOW METAL FRAME - DOOR HEAD
6"=1'-0" C1020-01



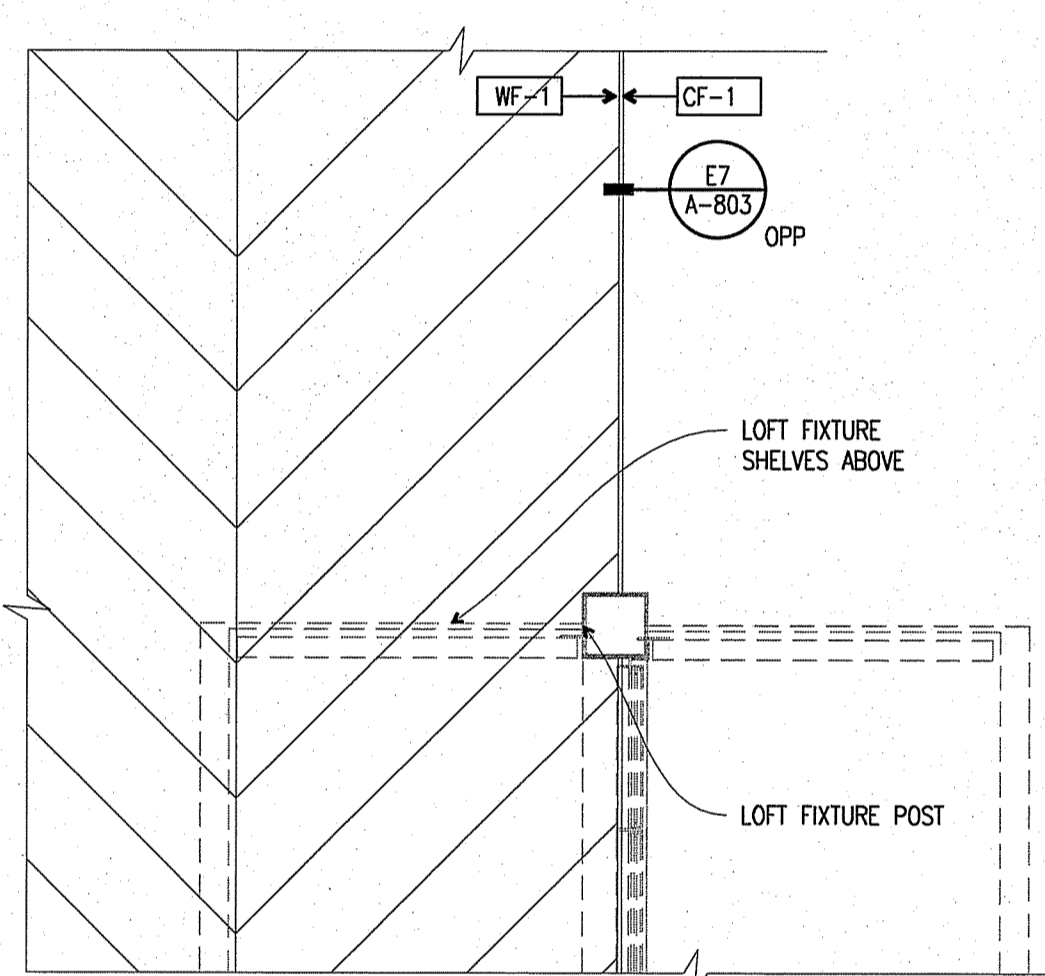
E5 MANAGER TO STOCK CARPET TO CONCRETE
3"=1'-0"



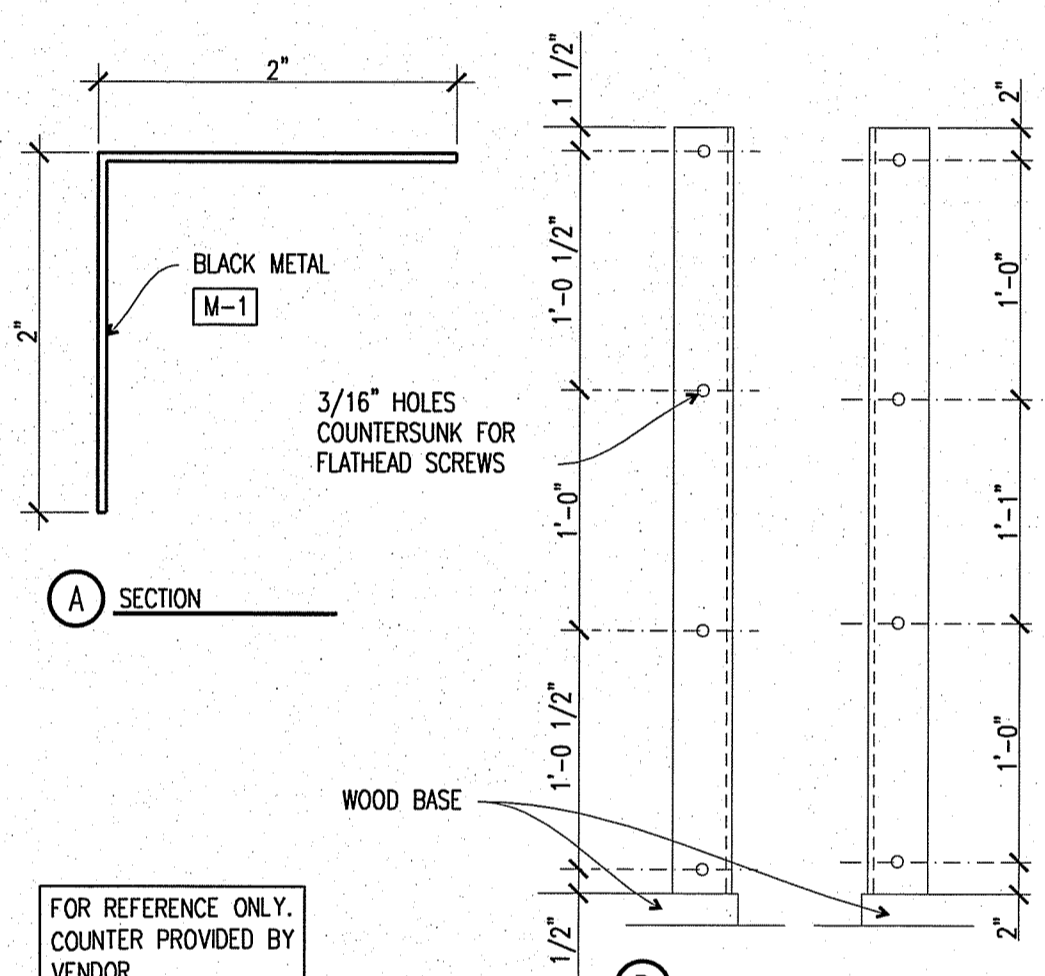
E7 CONCRETE TO WOOD FLOOR
3"=1'-0"



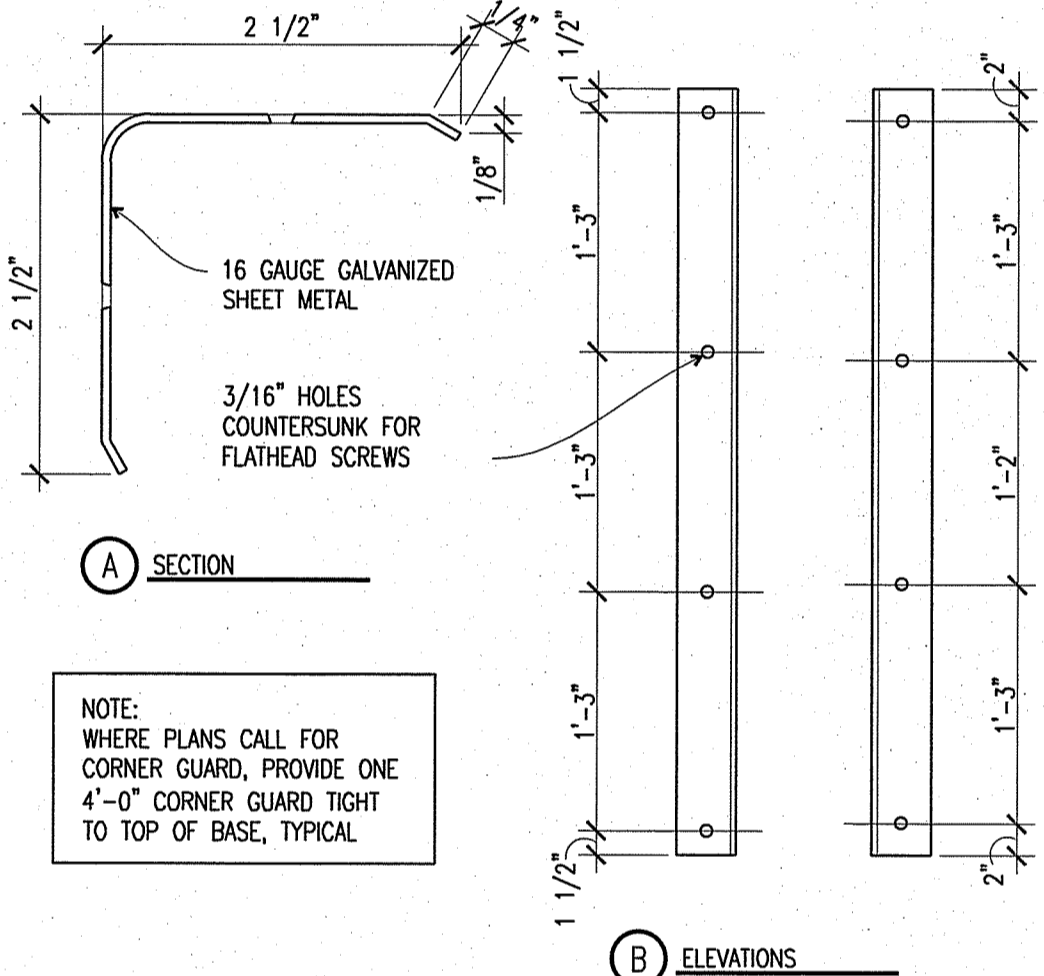
E9 TILE WAJNSCOT
6"=1'-0"



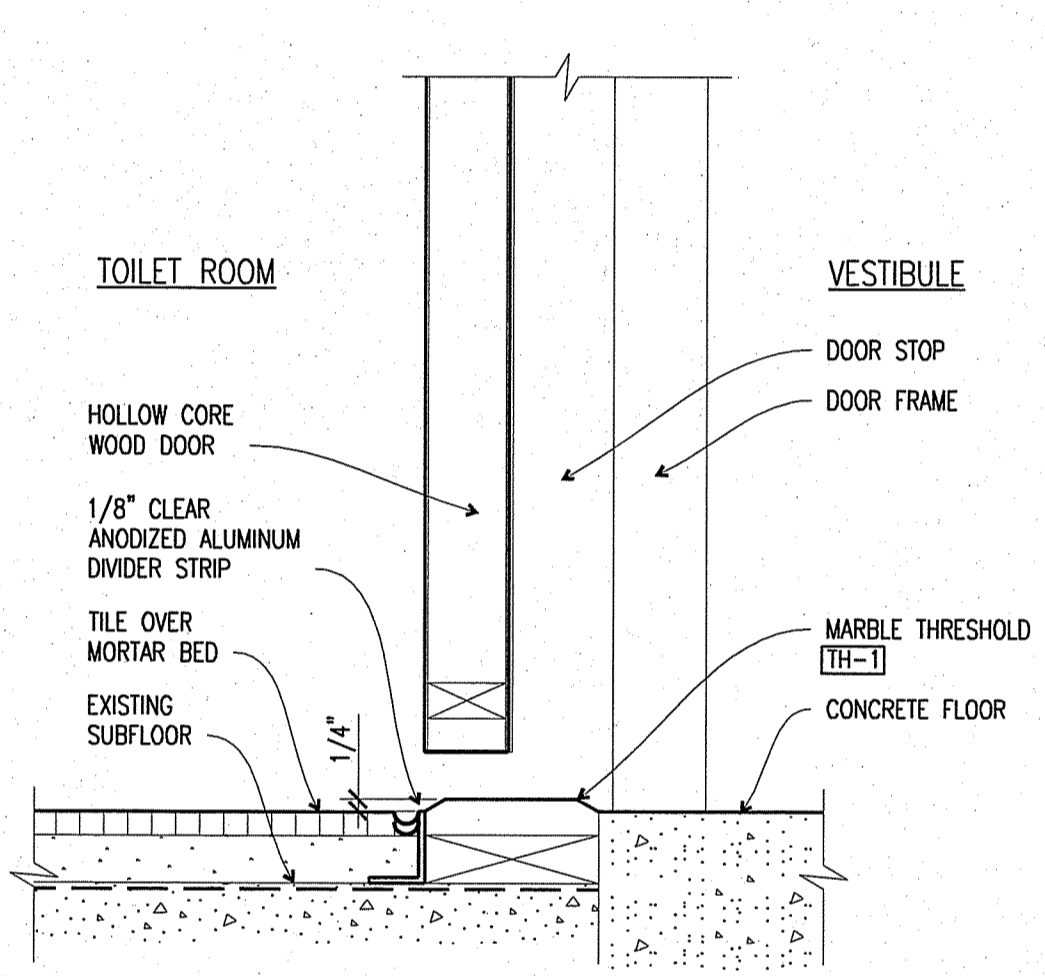
C1 FLOOR TRANSITION AT LOFT FIXTURE
1"=1'-0"



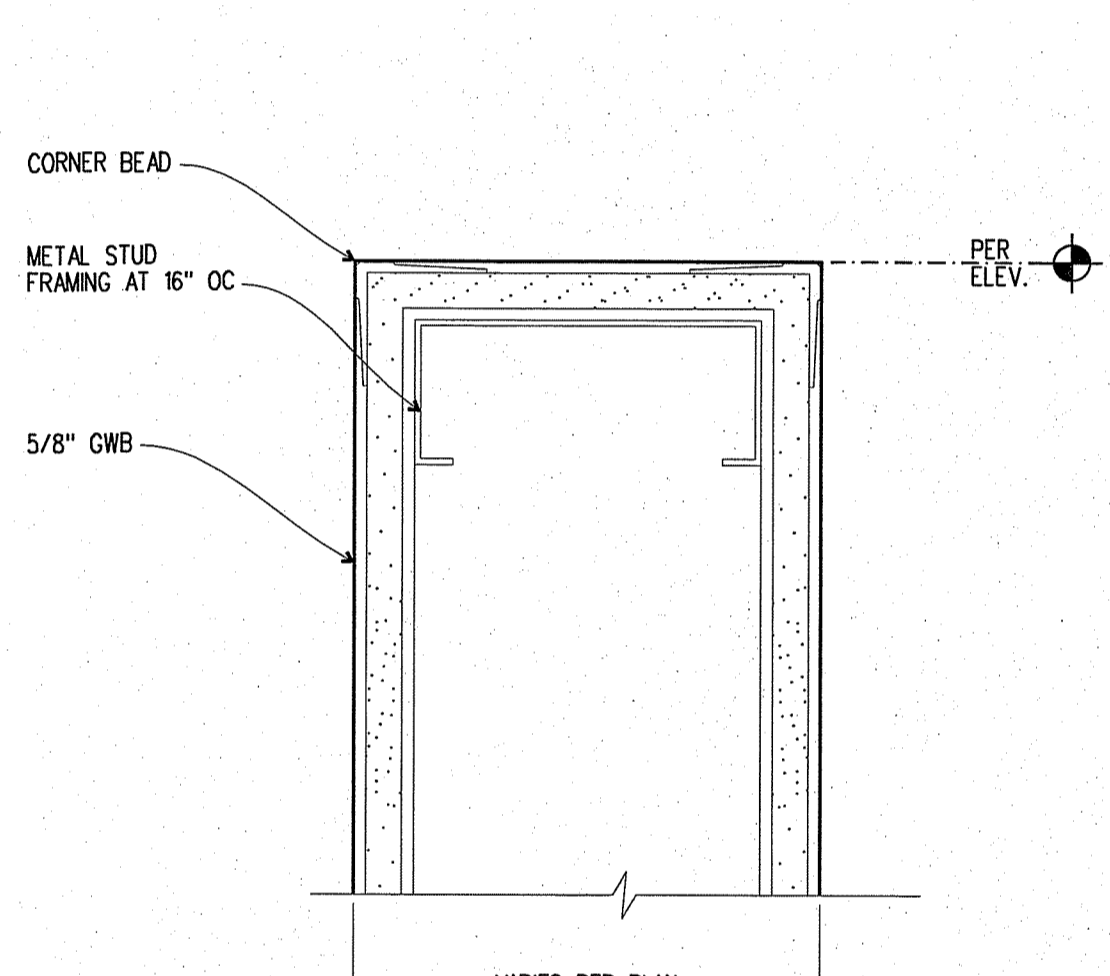
C3 SALESFLOOR METAL CORNER GUARD
NO SCALE



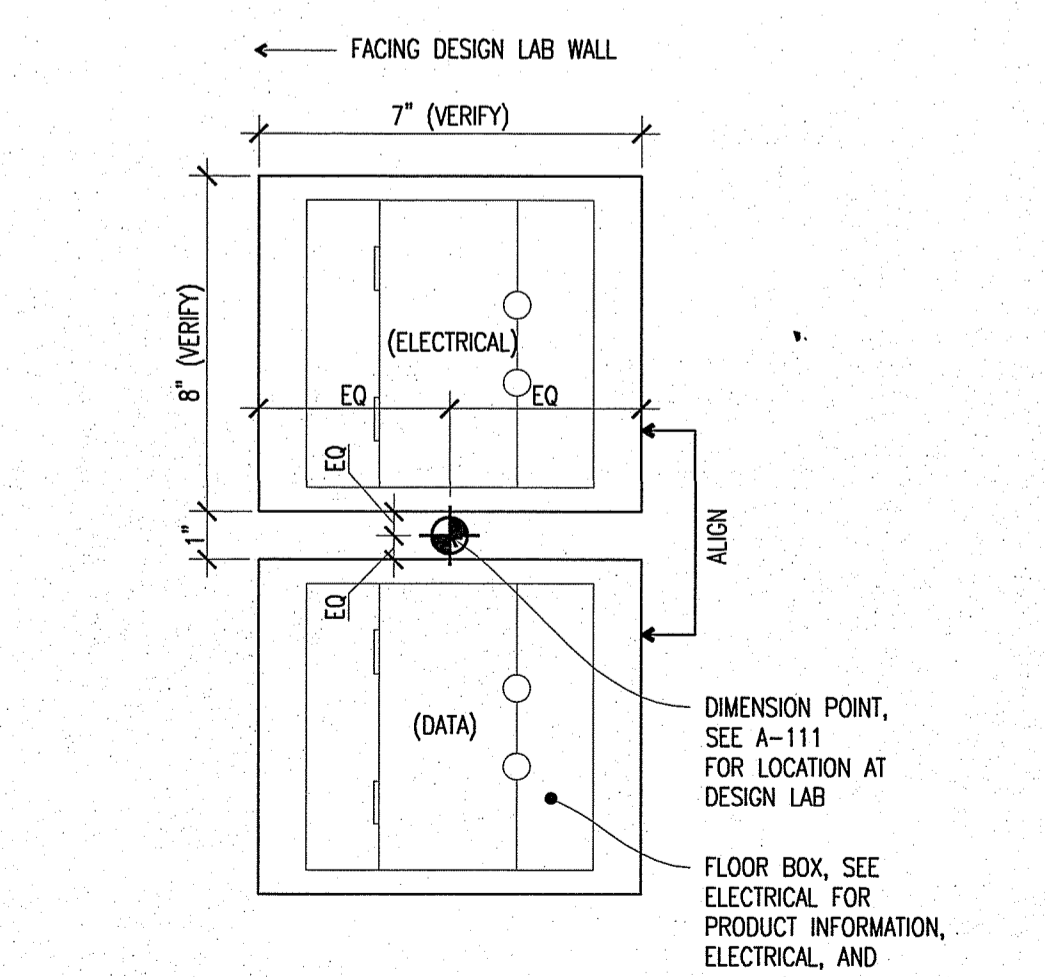
C5 BACK-OF-HOUSE METAL CORNER GUARD
NO SCALE



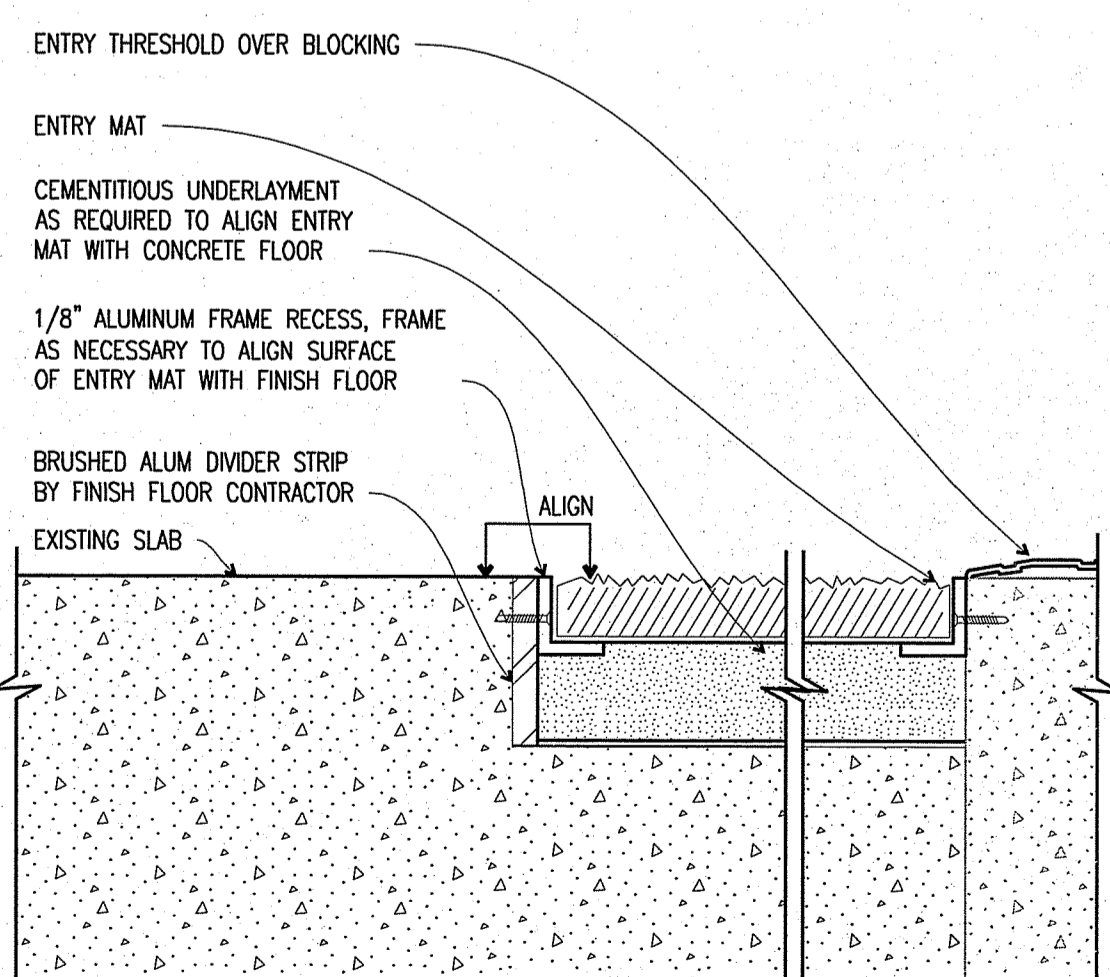
C7 CONCRETE TO CERAMIC TILE
3"=1'-0"



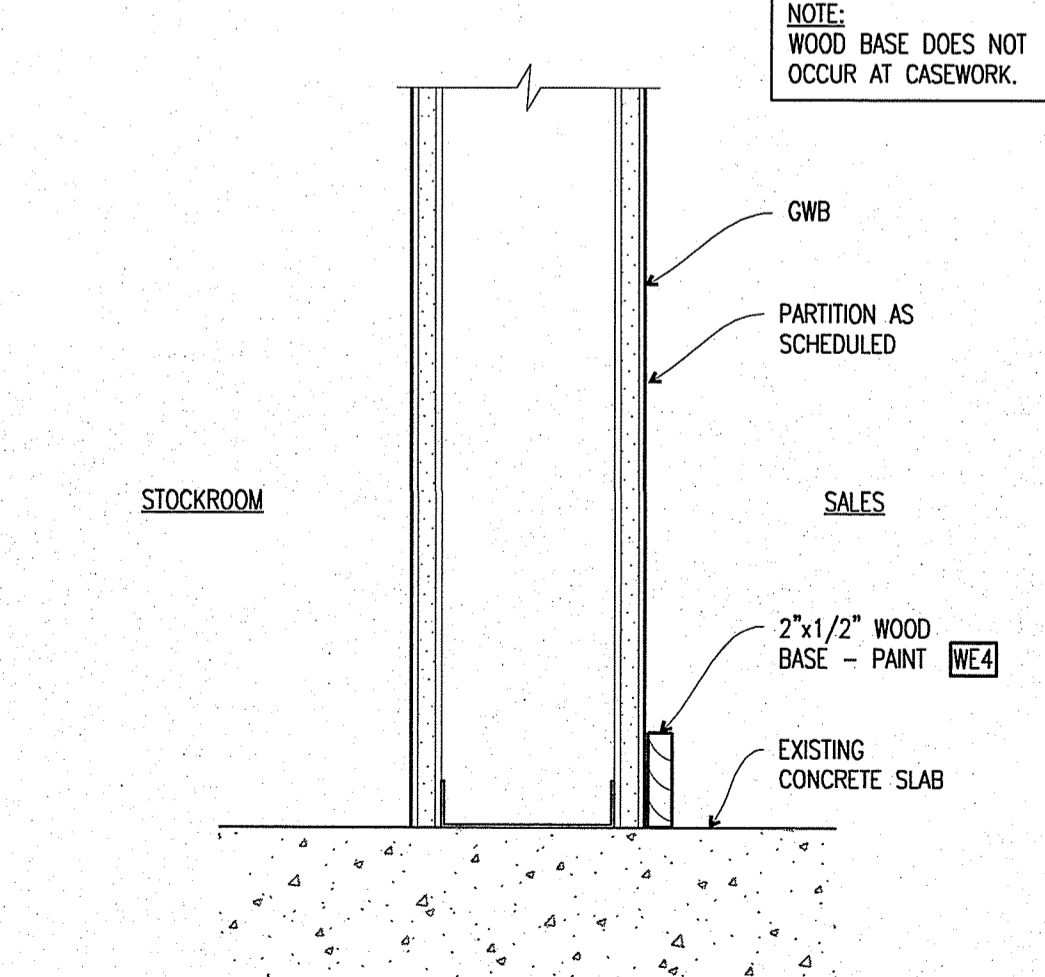
C9 PARTIAL HEIGHT PARTITION
6"=1'-0"



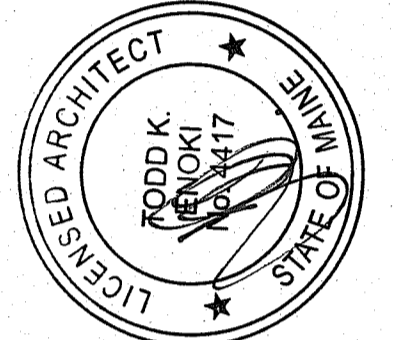
A1 DESIGN LAB FLOOR BOX
3"=1'-0"



A5 CONCRETE TO ENTRY MAT
6"=1'-0"



A7 WALL BASE
3"=1'-0"



CALLISONRTKL
A DESIGN CONSULTANCY OF ARCADIS
CALLISONRTKL, INC.
www.callisonrtkl.com

west elm
Downtown Portland
164 Middle Street
Portland, ME 04101
PROJECT #006-160335.00

ISSUED / REVISED	DATE
PRELIMINARY SET	09/08/16
LL COORDINATION SET	11/08/16
LL/PERMIT SET	11/21/16

INTERIOR DETAILS

A-803